



NAUTIC WATER HEATER

Our long experience operating in the nautical field has given us the means to supply a new series of water heaters with innovative characteristics compared with other heaters available on the market.

The advantages given by Quick® Nautic boilers are:

- high quality of materials ensure the product is both reliable and long lasting.
- Heat exchanger with a large exchanging surface.
- Producing hot water also by means of an electric element, which is provided with an adjustable and safety thermostat.
- Relief/non return valve that allows discharging of the water heater in case of disuse.
- The installation is easy and practical on a flat area.

**BEFORE USING THE WATER HEATER READ CAREFULLY THIS INSTRUCTION MANUAL.
IF IN DOUBT, PLEASE CONTACT THE NEAREST "QUICK®" DEALER.**



WARNING: use this water heater in the applications described in this manual. Don't use the equipment for any other purpose. Quick® will not be held responsible for damage to equipment and/or personal injuries caused by a misuse of the equipment.

PACKAGE CONTAINS: water heater - mounting - bolts, nuts and screws (for assembly) - user's manual - conditions of warranty.

INSTALLATION SITE

The water heater has to be placed in a dry and well-ventilated location. This precaution is required, even though water heaters are made of sea environment resistant materials, since electrical systems are present (in models provided). Moreover, if installed in non-ventilated environments, condensation could occur and could be mistaken for a leak.

INSTALLATION

- Put mounting (17) on the tank (1) using studs and nuts provided (18, 19, 20).
- Fix water heater on flat surface or inclined plane or wall, as shown in fig. 1, using proper mountings for the weight of the water heater and for the type of installation site in the boat.



WARNING: the weight of water heater/unit in the technical data refers to the empty unit. In order to have the gross weight add to the empty weight, the water amount. (1 liter of water will almost weigh 1 Kg. / 2,2 lb).

- Carry out the hydraulic connections, relating to the input and output of tap water and from the engine cooling to the heat exchanger, as shown in fig. 2. Keep the connections between engine cooling system and heat exchanger as short as possible.



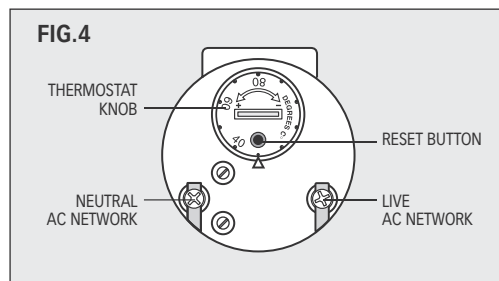
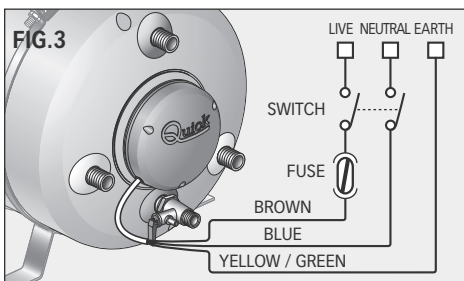
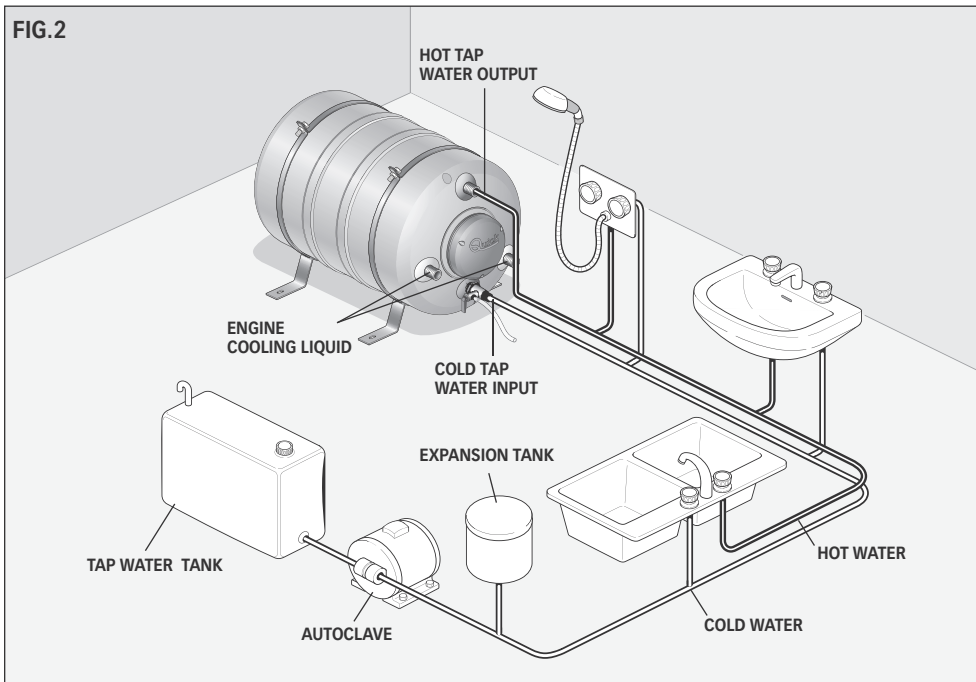
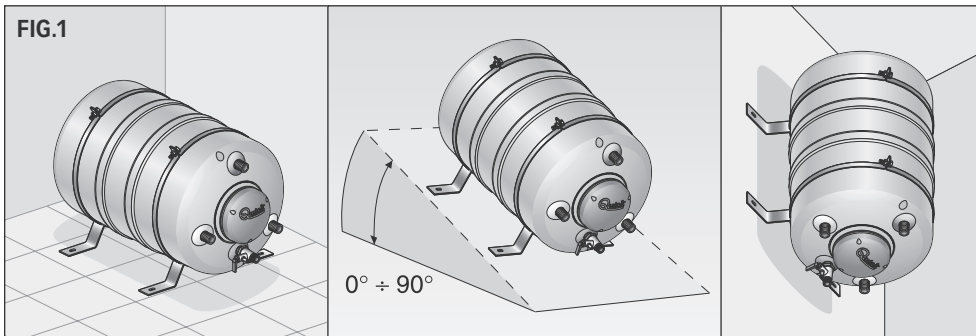
WARNING: the overpressure release pipe must be positioned sloping evenly downwards in a location protected from the formation of ice.



WARNING: water might drip from the overpressure release pipe of the device, and this pipe must be left open to the atmosphere.



WARNING: when fittings are used on water outlets, use Loctite 243, 577 or Teflon on the threads in order to ensure tightness. Make sure that there is no water leakage.





WARNING: follow the instructions of the boat engine manufacturer on how to connect engine cooling liquid to the heat exchanger.

- Fit the stub pipe (6) to the relief valve (4) using the hose clamp (5).
Fit the pipe so as to allow any possible water leak not to cause damage to parts of the boat.
- Open up hot water taps of the washbasins and start the water pump. This allows water to fill the water heater and force air out of the water heater and pipes. Close taps as soon as air free water comes out of the taps.
- Check that there are no leaks on pipe joints.

UNIT POWER SUPPLY (In models provided)

The unit is provided with power supply cable for AC current. See fig. 3 for the connection. Make sure the water heater operating voltage is the same as that provided by AC network.

A double pole switch has to be included on the electric installation in order to turn on and off the unit, as well as a fuse of suitable rating. The insulation between connection contacts of the AC network must be at least 3 mm. The connections to AC network must be done following the National Specifications on electrical installations.



WARNING: before carrying out the connection make sure the cables are not live.



WARNING: in case the power supply cable is damaged, ensure it is replaced by a Quick service center. In order to avoid accidents, the equipment has to be opened by authorized personnel only. If opened by an unauthorized person, the warranty is considered void.



WARNING: don't operate the electric element if the tank is not filled with water. It may cause a permanent damage to the electric element.

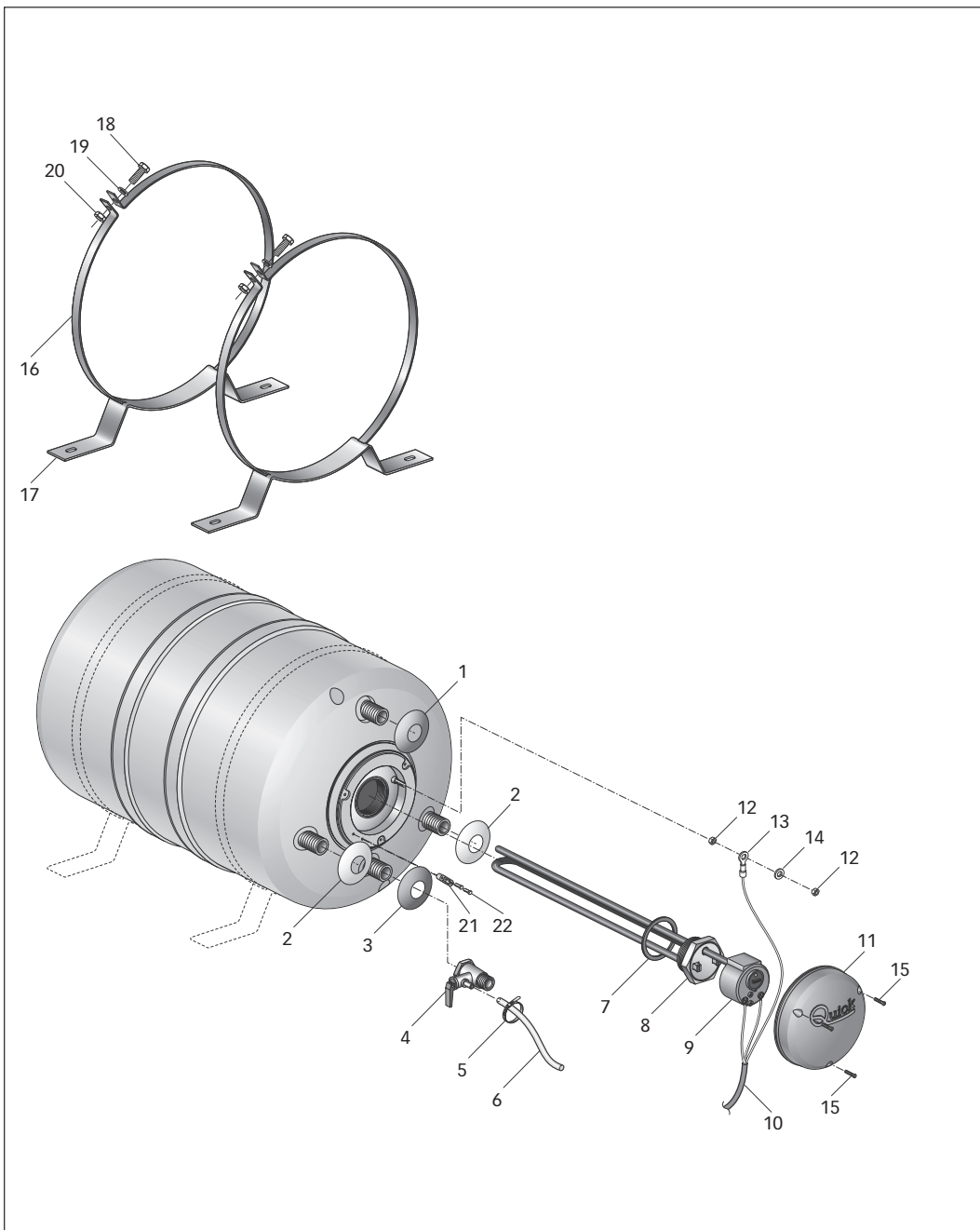
THERMOSTAT ADJUSTMENT (in models provided)

The standard temperature value of the thermostat is 60°C. If you wish to change it, follow the instructions below:

- shut down power supply.
- Remove the protection cover (11) in order to reach the thermostat (9).
- Adjust the thermostat knob with a screwdriver (fig. 4) and turn it to the required temperature.
- Replace the protection cover (11).
 - Switch on power supply.



The thermostat sets the water temperature only with electric element operation.





| POS. | DESCRIPTION | CODE |
|------|---------------------------------|--------------|
| 1 | Red plastic washer | PECRBLRS0000 |
| 2 | White plastic washer | PECRBLBNC000 |
| 3 | Blue plastic washer | PECRBLBL0000 |
| 4 | Relief/non return valve | MNVALS12S68P |
| 5 | Hose clamp | PBF25100W000 |
| 6 | Discharge pipe | PVTBGM10NT00 |
| 7 A | Element gasket from S/N 100.000 | PGGRES000000 |
| 7 B | Element gasket from S/N 200.000 | PGRM43500000 |
| 8A | Electric element 1200W 220V | EVR12220N000 |
| 8B | Electric element 500W 220V | EVR05220N000 |
| 8C | Electric element 1200W 110V | EVR12110N000 |
| 8D | Electric element 600W 110V | EVR06110N000 |
| 9 | Bi-Thermostat | EVT15S000000 |
| 10 | Power supply cable | ECC30150G000 |
| 11A | B3 resistor cover 220V | PECRB220B300 |
| 11B | B3 resistor cover 110V | PECRB110B300 |
| 12 | Nut M4 stainless steel | MBD04MXEN000 |
| 13 | Ground cable terminal | EJCY04000000 |
| 14 | Washer | MBR04X000000 |
| 15 | Screw 2,9 x 19 | MBV02919AXCC |
| 16A | Tank mounting B3 300 | MBFPNXB3300 |
| 16B | Tank mounting B3 360 | MBFPNXB3360 |
| 16C | Tank mounting B3 400 | MBFPNXB3400 |
| 17A | Metal bracket B3 300 | MMSTXB300000 |
| 17B | Metal bracket B3 400 | MMSTBL400DR1 |
| 18 | Screw M8 stainless steel | MBV0830MXE00 |
| 19 | Washer Ø 8 stainless steel | MBR08X000000 |
| 20 | Nut M8 stainless steel | MBD08MXEN000 |
| 21 | Cable clamp | PPBLB3000000 |
| 22 | Screw 2,9 x 16 | MBV02916AXCC |



WARNING: Quick® nautic water heaters are provided with a double thermostat with manual reset that shuts down power supply in case of an excessive water temperature.

If it happens, follow the instructions below:

- shut down power supply.
- Remove the protection cover (11) in order to reach the thermostat (9).
- Push the reset button on the double thermostat (fig. 4).
- Replace on the protection cover (11).
- Switch on power supply.



WARNING: if the high temperature safety system switches on repeatedly, call Quick® service center.

MAINTENANCE



During wintertime, when the water heater is not in use it should be drained using the lever of the valve (4). This is to avoid serious damage caused by freezing.

The overpressure release device must be activated regularly to remove calcium deposits and to ensure that it is not blocked.

Periodically check the joints of the water pipe installation; check the tightness of the securing screws and replace them in case they are worn or corroded.

Also periodically check the electrical system working order.